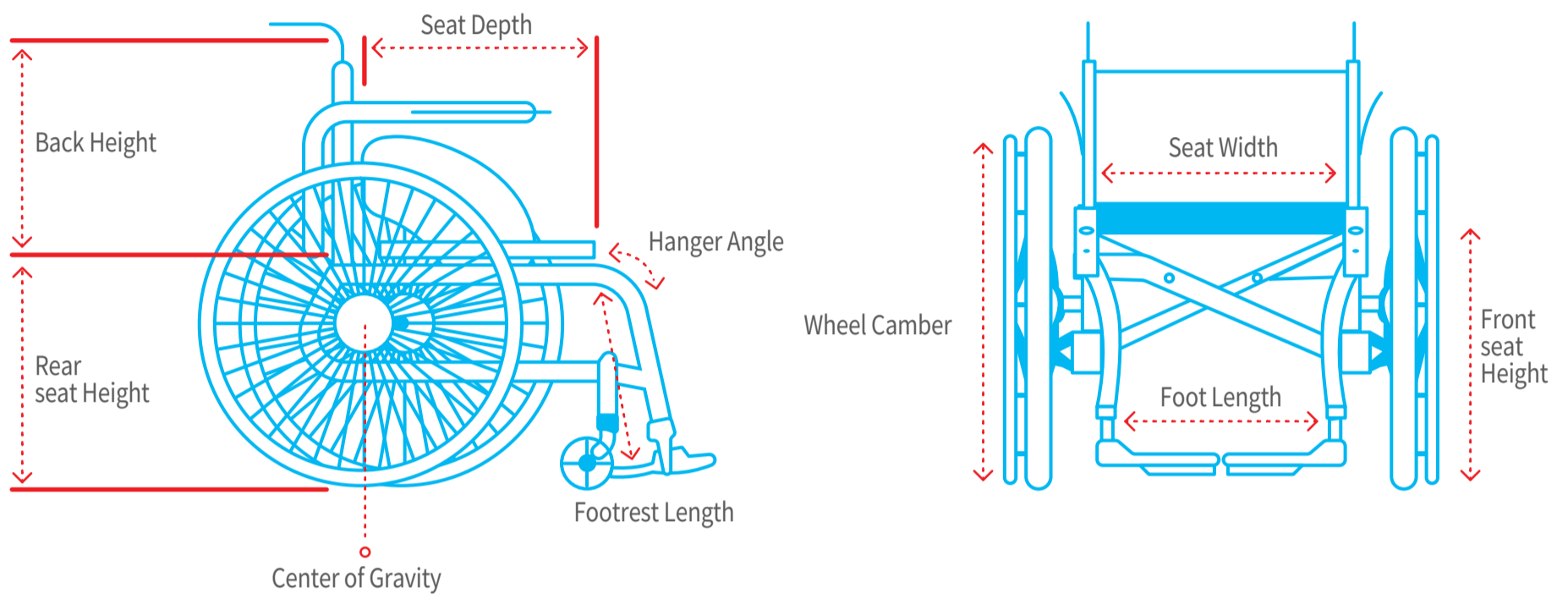


Wheelchair Selection and Measurement Guide

BASIC WHEELCHAIR TERMS



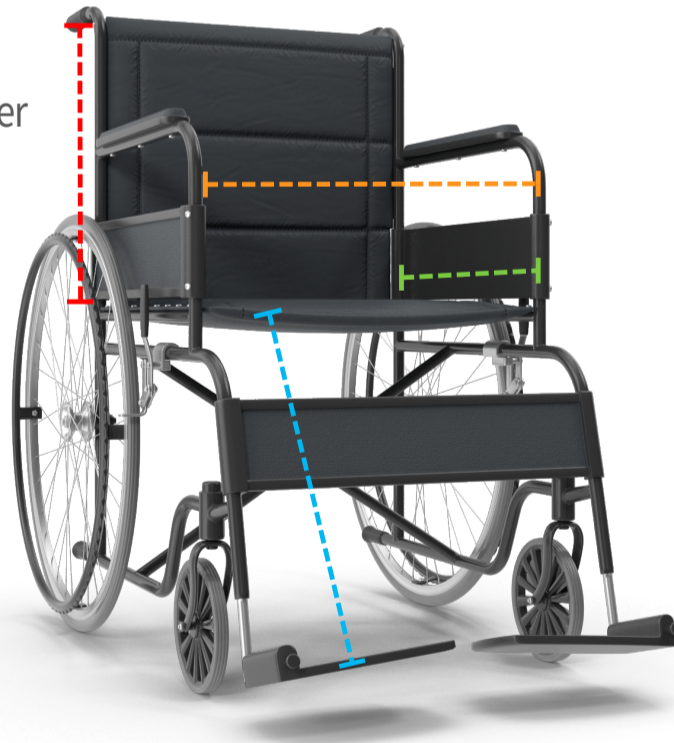
Understanding these terms is critical for measuring and selecting the right wheelchair. This ensures the user's safety, comfortability, and ultimately, happiness.

Back Height

Back height affects the user's comfort, particularly when the user is stationary.

Front Seat Height

Seat height measurement affects driving efficiency. If this measurement is incorrect, using the wheelchair will take unnecessary effort.



Seat Width

Seat width affects sitting comfortability. The user should not be squeezed in the chair, nor have too much space between armrests.

Seat Depth

Seat depth affects the user's weight distribution in the chair, critical to comfort and ease of use.

KEY MEASUREMENTS



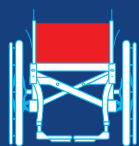
FRONT SEAT HEIGHT
Heel to Knee



SEAT WIDTH
Hip Width
Widest Point



SEAT DEPTH
SRP (Seat Reference Point)
to Knee



BACK HEIGHT
Shoulder Height



OTHER
Elbow to SRP - for armrests
Head Height - for headrest height