

One bed pan. All patients.

Bariatric, pediatric, and fracture—all in one!



- Replaces standard bed and fracture pans

- Anti-splash, anti-spill

- Low profile for easier, more comfortable placement

Bariatric Bed Pan

Unlike traditional bed pans, this low-profile pan is ideal for heavier patients because it slides easily underneath the patient for comfortable and easy placement and removal. 2-quart carrying capacity reduces spill and splash hazards. Stock one type of bed pan for use with all patients. Easy to clean and disinfect. Steam autoclavable and reusable.

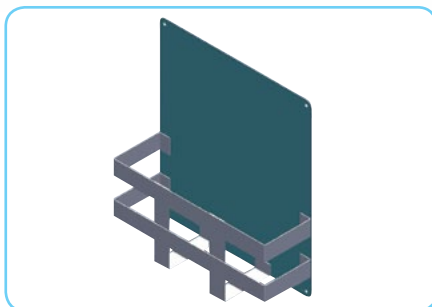
- **Certified to 1,200 lbs.**

- **2-quart capacity**

14 1/4"W x 15"L x 3"D • 1/2"H rim at lowest edge
• Steam autoclavable or wash with soap and water

To order:

- #711255 Bariatric Bed Pan, each
- #71125520 Bariatric Bed Pan, 20/cs
- #711273 Universal Holding Rack







Stores a single bed pan

For convenient, hygienic storage, use our **Universal Holding Rack** to hold any standard or bariatric bed pan. Easy to mount, easy to clean.

Stainless steel with full backing plate
• Mounting screws supplied for wall and back-of-door mounting

See reverse for additional
Hygiene products

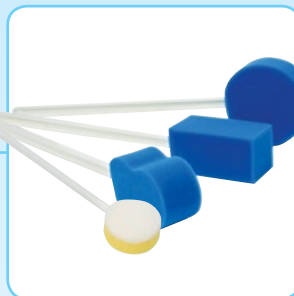
Hygiene Aids

Description	Benefit	Item #
 <p><i>CareBag® Bed Pan Liner</i></p>	<p><i>Fits all bedpan shapes and sizes. 20/bx.</i></p>	<p>712745</p>
 <p><i>URSEC Spillproof Urinal</i></p>	<p><i>Will not spill even if rolled over.</i></p>	<p>75639</p>
 <p><i>Self Wipe®</i></p>	<p><i>Help maintain patient privacy.</i></p>	<p>82238</p>
 <p><i>SaniGuard® Dry-on-Contact Sanitizing Surface Spray</i></p>	<p><i>Sanitize surfaces quickly. Dries on contact. 12/cs.</i></p>	<p>7266812</p>

AliMed—Your go-to source for Hygiene Aids



Toileting



Bathing



Personal Care

Any order placed before 3 p.m. EST, if in stock, ships the same day!
Prices, product availability, and specs are subject to change.

Pub. #7212REV0618 Product #11200
©2016 AliMed® Inc. All rights reserved. • Printed in USA.